

# SMS-SKVC Speaker Volume Control

## User Guide



V20190704

Soft dB Inc.  
1040, Belvedere Avenue, Suite 215  
Quebec (Quebec) Canada G1S 3G3  
Toll free: 1-866-686-0993 (USA and Canada)  
E-mail: [info@softdb.com](mailto:info@softdb.com)

**Soft dB**  
WWW.SOFTDB.COM

## Content

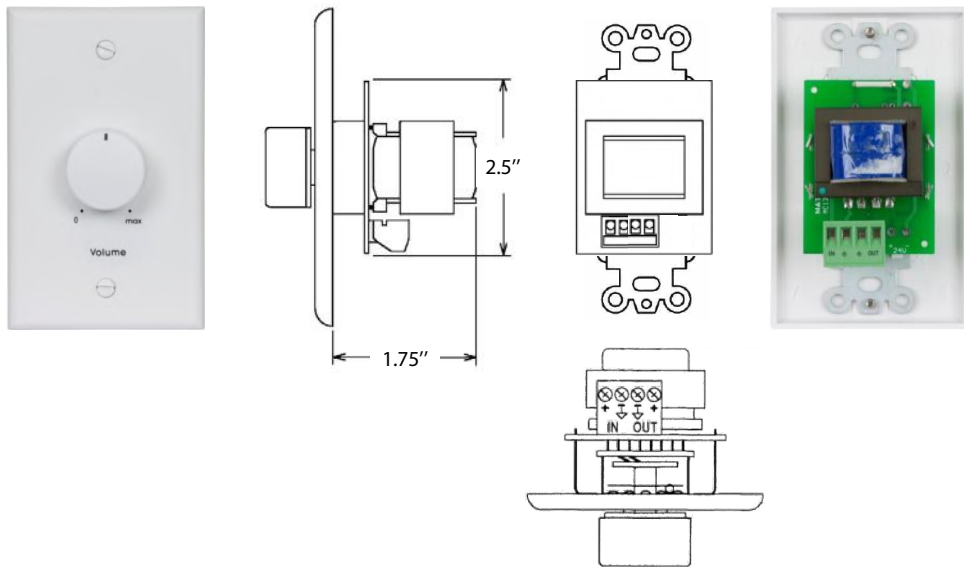
<b>1</b>	<b>Overview .....</b>	<b>2</b>
<b>2</b>	<b>Specifications .....</b>	<b>3</b>
<b>3</b>	<b>Installation.....</b>	<b>4</b>
3.1	Safety Instructions .....	4
3.2	Installation Procedure .....	5

## 1 Overview

For some applications, it's useful to have a volume control knob directly on the speaker line. This is useful namely to provide a different volume for each speaker line or to provide a different volume for a sub portion of a zone. Use the SMS-SK-VC volume knob for this application.

## 2 Specifications

Specifications	
Wall Plate	Decora, 1-gang
Colors	White, Black, or Almond
Connector	Screw-on
Recommended Wiring	22AWG-2 Shielded



## 3 Installation

### 3.1 Safety Instructions

- Read and keep these instructions.
- Heed all warnings and follow all instructions contained within this manual.
- Install in accordance with the manufacturer's instructions.
- Clean only with dry cloth.
- Do not install near water.
- Do not block any ventilation openings.
- Do not install near any heat sources such as radiators, heat registers, stoves, or other apparatus (including amplifiers) that produce heat.
- Use the power cord with sealed mains plug appropriate for your local main supply as provided with the equipment. If the provided plug does not fit into your outlet contact the manufacturer.
- Protect the power cord from being walked on or pinched particularly at plugs, convenience receptacles, and the point where they exit from the apparatus.
- Only use attachments and accessories specified by the manufacturer.
- Refer all servicing to qualified service personnel. Servicing is required when the apparatus has been damaged in any way, such as when the power-supply cord or plug is damaged, liquid has been spilled or objects have fallen into the apparatus, the apparatus has been exposed to rain or moisture, does not operate normally, or has been dropped.
- Operate the product only with the voltage specified on the unit. Fire and/or electric shock may result if a higher voltage is used.
- Do not modify, kink, or cut the power cord. Do not place the power cord in close proximity to heaters and do not place heavy objects on the power cord and/or the product itself, doing so may result in fire or electrical shock.
- Be sure the installation of this product is stable, avoid slanted surfaces as the product may fall and cause injury, property damage, electrocution and/or fire.
- Do not open the cover.

### 3.2 Installation Procedure

Use 22 AWG shielded cable to connect the SMS-SK-VC on a speaker line. Connect the "in" connectors from the SMS-SK-VC to the feeding speaker line. Connect the "out" connectors from the SMS-SK-VC to the volume controlled speaker line.

