

## PS-72W

### SMS-NET Power Supply

The PS-72W is a 72W power supply to power SMS-NET controllers. It is equipped with a standard IEC C13 connection and Soft dB can provide international power plugs on demand:

North America: NEMA 5-15P

Europe: CEE 7/7

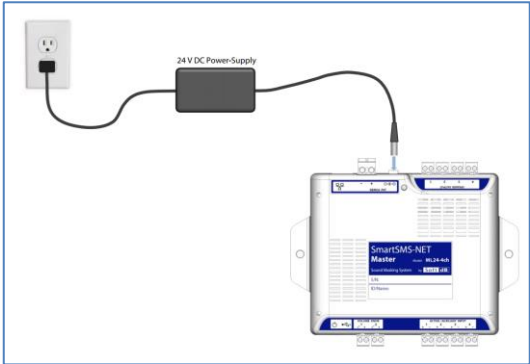
UK: BS-1363

Australia: AS 3112

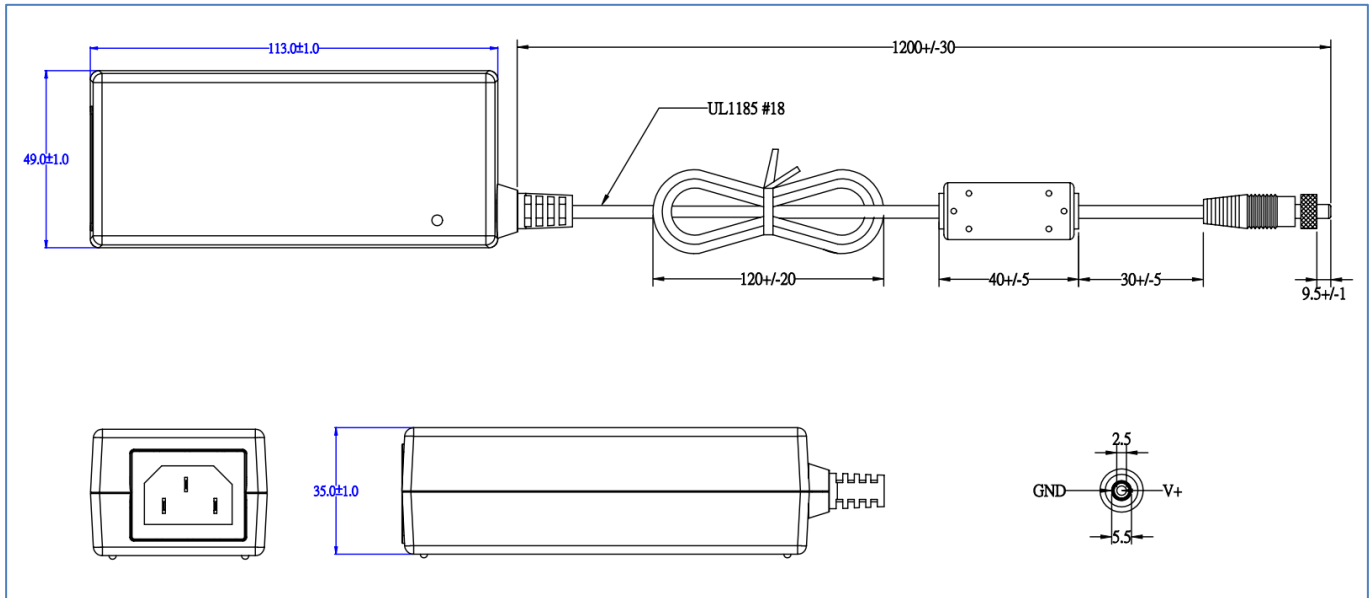
Specifications	
AC Input Voltage	100-240Vac
Min/Max Input Voltage	90/264 Vac
AC Input Frequency	50-60 Hz
Min/Max Input Frequency	47/63 Hz
Input Current	2.0A Max @ 100Vac-240Vac Full Load
Efficiency	>88% Ave @ 25-100% Full Load
No Load Power Consumption	0.21W @ 115-230 Vac
Input Fuse	T3.15A/250V
Line Regulation	< ±1% of rated voltage @ Full Load
Hold up time	> 8.3mSec @ Full Load
Rise Time	< 50 mSec @ 115Vac Input Full Load
Turn On Time	< 3 sec
Output Voltage and Current	+24V, 3A Max
Load Regulation	24V ± 5%, (22.8-25.2Vdc)
Dynamic Load Regulation	± 5% excursion for 50-100% load change
Ripple and Noise	360mV max
Over Voltage Protection	175% of Max rated Voltage
Over Current Protection	110-200% of max output current
Reliability MTBF	100 000 hours (11.4 years) @ 25 degrees C
Temperature	0 to 40 °C operating; -20 to 85 °C storage
Humidity	10 to 90% operating; 5 to 90% storage



Certifications	
Energy Saving standards	DoE Level VI
EMI	CISPR, EN 55032 Class B
EMI	FCC Part 15, Class B
Safety	UL, CUL, TUV, CB, CE, FCC, RCM, BSMI
Safety	PSE, CU, IRAM, CCC
ESD	@ 4KV contact, @8 KV air, IEC 61000-4-2
RS	80-1000 MHz, Field 3V/M 80% AM, IEC 61000-4-3
EFT	± 1kV on input AC ports, IEC 61000-4-4
Surge	Line to Line ±1kV peak, IEC 61000-4-5
Surge	Line to FG ±2KV peak, IEC 61000-4-5



Mechanical	
Physical Size LWH	113mm x 49mm x 35mm
Enclosure Material	94V-0 minimum
Output Cable	UL1185 #18
Drop test	1m, CSA C22.2 No.950/UL1950/UL1310
Gross Weight	260g ±15g



V20221124