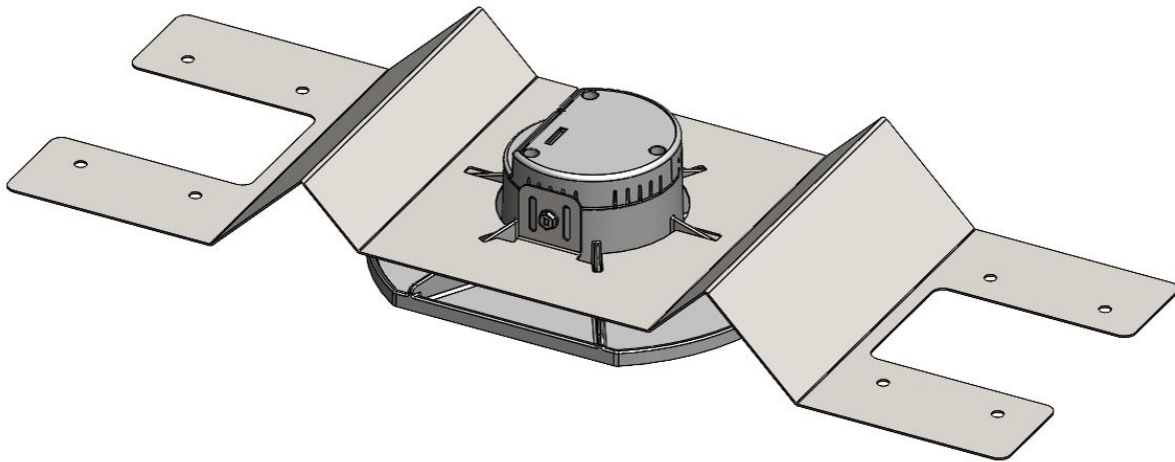


SMS-HDN

Mounting Bracket User Guide



V20250228

Soft dB Inc.
1040, Belvedere Avenue, Suite 215
Quebec (Quebec) Canada G1S 3G3
Toll free: 1-866-686-0993 (USA and Canada)
E-mail: info@softdb.com

Soft dB
WWW.SOFTDB.COM

Content

1	Overview	2
2	Specifications	3
3	Installation	4
3.1	Installing the HDN into the bracket	4
3.2	Installing the Bracket	6

1 Overview

The SMS-HDN is a vibration transducer that creates sound masking by generating vibrations on a hard surface.

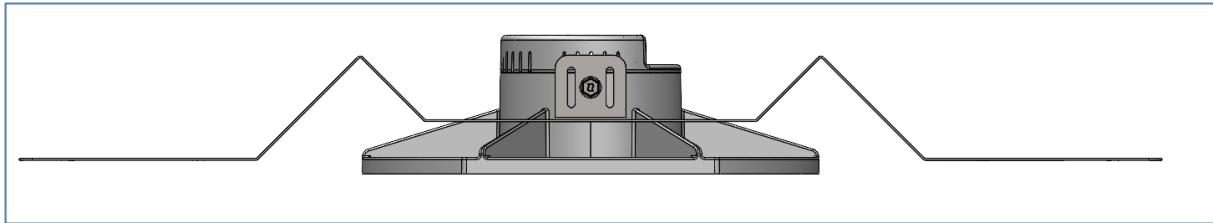
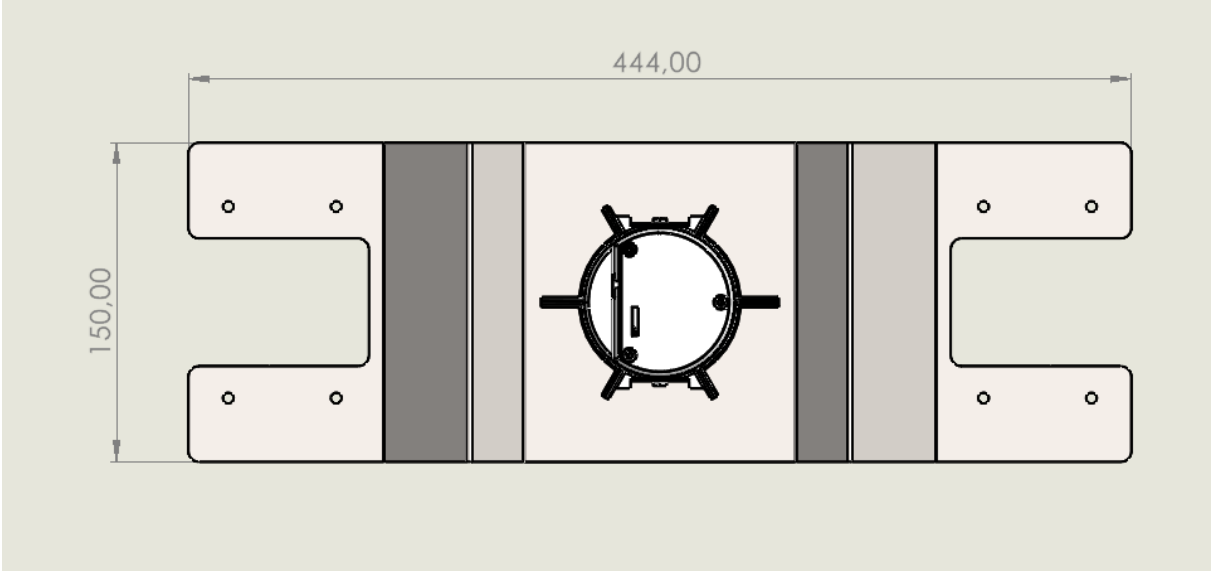
Unlike surface or direct-field speakers, the SMS-HDN does not create acoustical hot spots, providing a significantly more diffuse sound field for excellent sound masking uniformity.

The HDN Mounting Bracket is used to install the HDN transducer before the installation of drywall and hold it in place during construction phase.

After the drywall is installed, the HDN Mounting Bracket will hold the HDN Transducer and provide enough force to keep a good contact.



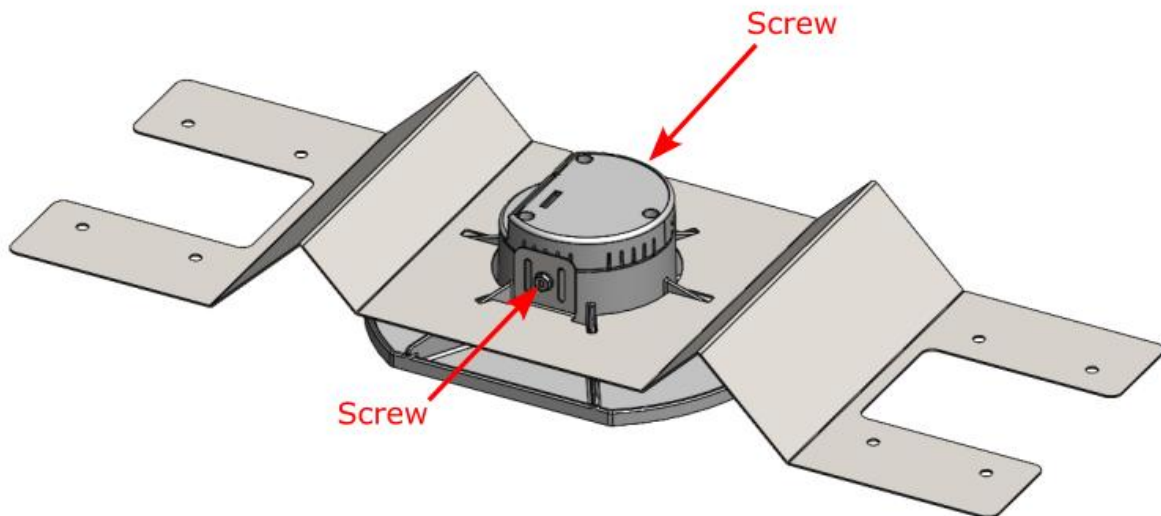
2 Specifications



3 Installation

3.1 Installing the HDN into the bracket

- Place the HDN transducer in the bracket
- Mount the HDN with 2 self tapping screws (included), one on each side.
- Screws are 6-20 self-tapping, Length 5/16inch, **DO NOT** use longer screws as they may contact the magnet structure.
- Do not overtighten the screws.





3.2 Installing the Bracket

- Mount the bracket in the wood studs, metal studs or metal furring using 4 drywall or metal screws (not included)
- Use tapered screws with flat heads to get the screw flush with the bracket. Round heads might “stick out”, preventing good contact of the drywall sheets.
- Connect the wires using the green phoenix connector. Make sure the wires are tucked away and won’t interfere with the drywall installation.
- Install the drywall sheet. This will cause a little flex in the bracket. The force will keep the HDN in place and provide a good contact.

