

# SMS-STX

Sound Masking Speaker  
User Guide



V02\_20220728

Soft dB Inc.  
1040, Belvedere Avenue, Suite 215  
Quebec (Quebec) Canada G1S 3G3  
Toll free: 1-866-686-0993 (USA and Canada)  
E-mail: [info@softdb.com](mailto:info@softdb.com)

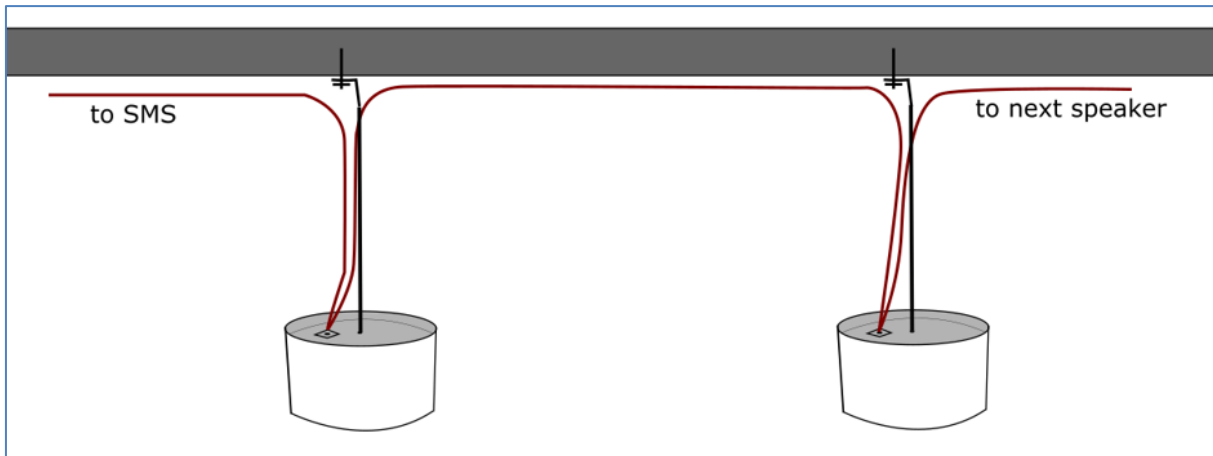
**Soft dB**  
WWW.SOFTDB.COM

## Content

<b>1</b>	<b>Overview</b> .....	<b>2</b>
<b>2</b>	<b>Specifications</b> .....	<b>3</b>
<b>3</b>	<b>Installation</b> .....	<b>4</b>
3.1	Safety Instructions .....	4
3.2	Securing the Speaker .....	5
3.3	Connecting the Speaker .....	6
3.4	SMS-STXATT Attenuator .....	7

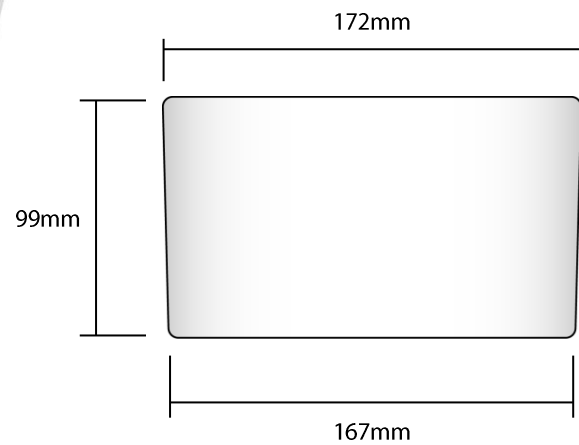
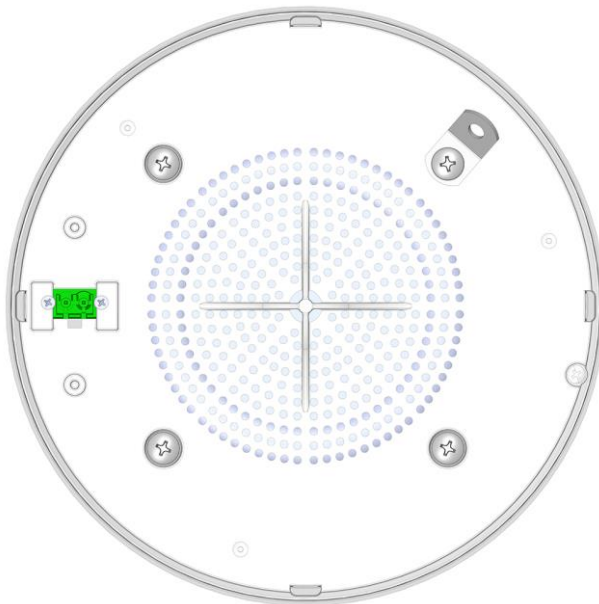
## 1 Overview

The SMS-STX loudspeaker is designed to generate the optimum masking sound in open ceiling configuration.



## 2 Specifications

Specifications	
Power	10W
Impedance	75 Ohms
Line Voltage	25 V
Sensitivity	92 dB
Enclosure Material	Lexan Polycarbonate plastic
Frequency Response	100 Hz to 10 kHz
Connectors	Phoenix Screw Connector
Driver	11 cm (4.5") full range
Color	White (RAL9016)
Anchor Device	5mm plastic hook at the center
Seismic Security	Additional 5mm metal hook
Weight	1.26 kg (2.8 lbs)
Shipping Weight	1.66 kg (3.7 lbs)
Box Dimensions	To be confirmed



## 3 Installation

### 3.1 Safety Instructions

- Read and keep these instructions.
- Heed all warnings and follow all instructions contained within this manual.
- Install in accordance with the manufacturer's instructions.
- Clean only with dry cloth.
- Do not install near water.
- Do not block any ventilation openings.
- Do not install near any heat sources such as radiators, heat registers, stoves, or other apparatus (including amplifiers) that produce heat.
- Use the power cord with sealed mains plug appropriate for your local main supply as provided with the equipment. If the provided plug does not fit into your outlet contact the manufacturer.
- Protect the power cord from being walked on or pinched particularly at plugs, convenience receptacles, and the point where they exit from the apparatus.
- Only use attachments and accessories specified by the manufacturer.
- Refer all servicing to qualified service personnel. Servicing is required when the apparatus has been damaged in any way, such as when the power-supply cord or plug is damaged, liquid has been spilled or objects have fallen into the apparatus, the apparatus has been exposed to rain or moisture, does not operate normally, or has been dropped.
- Operate the product only with the voltage specified on the unit. Fire and/or electric shock may result if a higher voltage is used.
- Do not modify, kink, or cut the power cord. Do not place the power cord in close proximity to heaters and do not place heavy objects on the power cord and/or the product itself, doing so may result in fire or electrical shock.
- Be sure the installation of this product is stable, avoid slanted surfaces as the product may fall and cause injury, property damage, electrocution and/or fire.
- Do not open the cover.

### 3.2 Securing the Speaker

Hang the speaker to the deck using a chain, a metal wire or any other appropriate device attached to the center hook of the speaker. Use an anchor of sufficient strength to support the weight of the speaker.

If the regulations require a second safety anchor, you can use the black safety hanger. This hanger is fixed on the metal frame of the speaker driver.



### 3.3 Connecting the Speaker

All wiring should be carried out with 2-conductor stranded copper wire. The minimum wire calibre is 18 AWG (1mm<sup>2</sup>). Wire size to be specified by the designer of the installation.

**Follow local regulation for wiring requirements.**

#### **EXTERNAL CONNECTION:**

The speakers are connected in parallel, in a daisy-chain configuration. Use the phoenix screw-connector to connect the wire(s) to the speaker.



### 3.4 SMS-STXATT Attenuator

If you need to attenuate the sound output from a single speaker, you can use the SMS-STXATT attenuator (Available separately). This allows you to add a 3 dB and 6 dB attenuation on the signal sent to the speaker.

Simply unplug the phoenix connector, and connect the phoenix in the right input. -3 dB is on the left and -6 dB is on the right.

