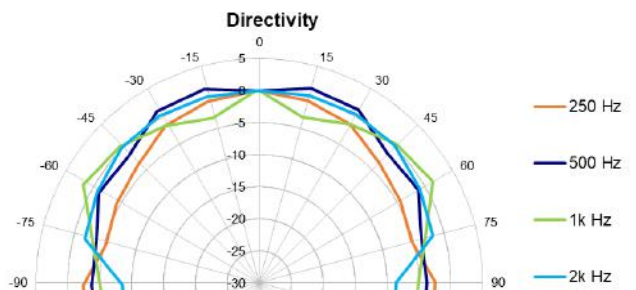
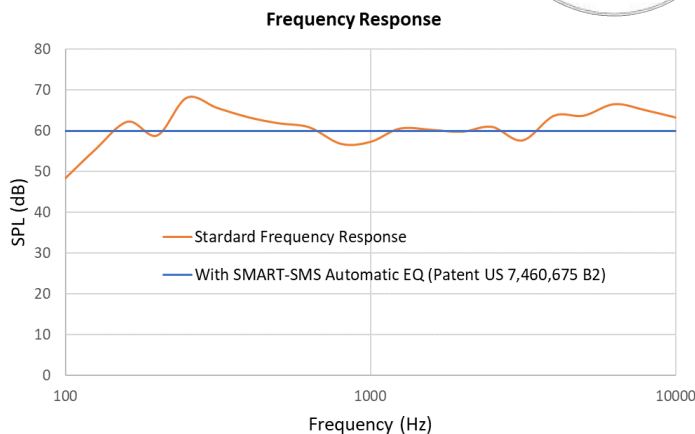
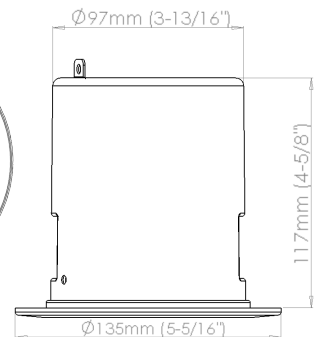


## SMS-SURF4

### Sound Masking System Surface Loudspeaker

The SMS-SURF4 loudspeaker is designed to generate the optimum masking sound for in-ceiling configuration.

Specifications	
Max Power	10W
Sensitivity	87 dB
Enclosure Material	Steel
Frequency Response	100 Hz to 10 kHz
Connector	Screw Terminal Block
Output Power Selection	4w, 2W, 1W, 1/2w
Driver	9,5 cm (4") full range
Certification	UL 60065 / UL 2043
Color	White (RAL9016)
Weight	1.2 kg (2.6 lbs)
Shipping Weight	1.6 kg (3.5 lbs)
Box Dimensions	17 x 17 x 18 cm (6¾" x 6¾" x 7")
Attachment	2 Spring
Recommended hole size	100mm (4")



V20190703